



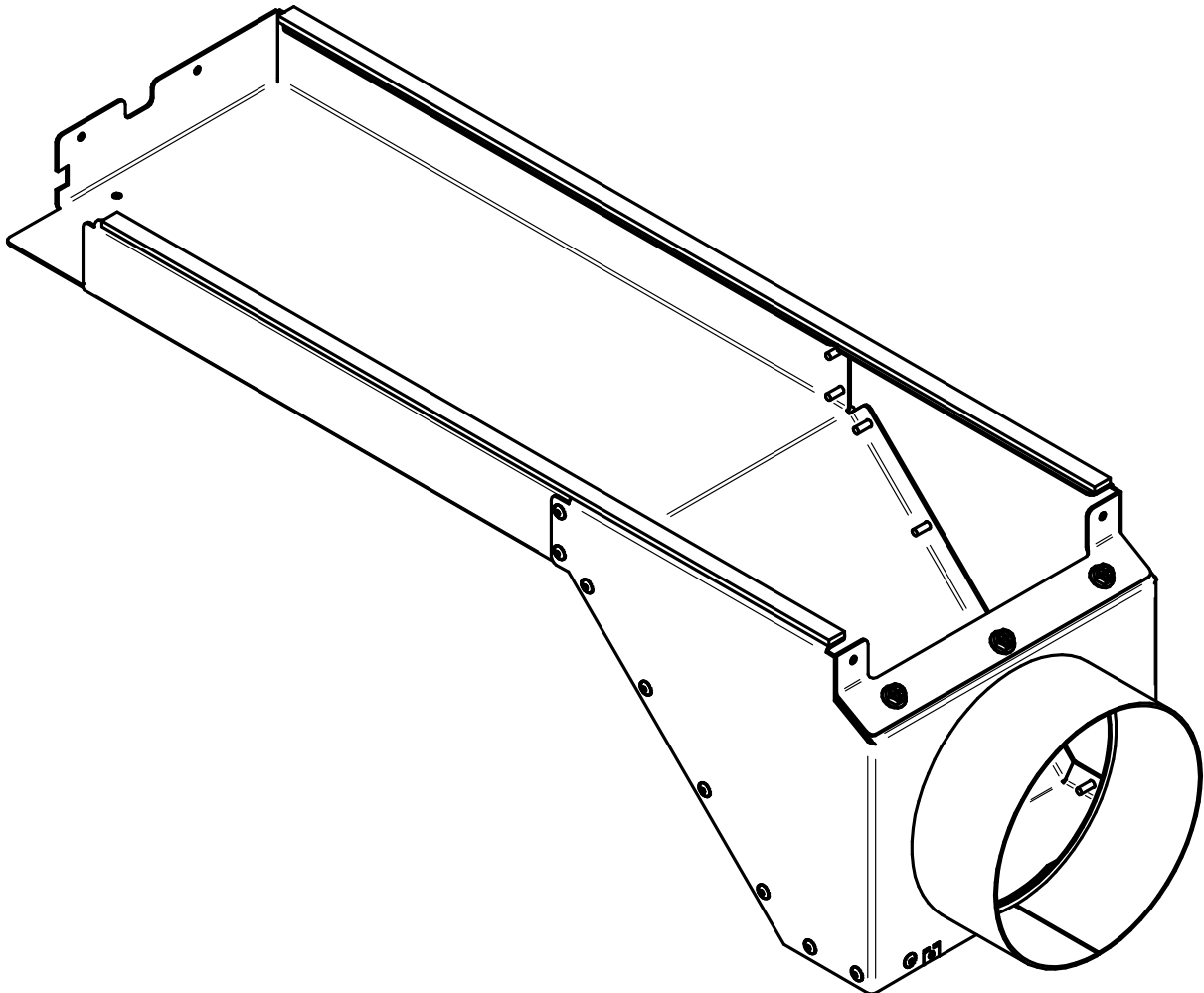
# Installation Instructions

## Fresh Air Intake Kit for Wood Stove on legs and pedestal

---

### AC01422

---

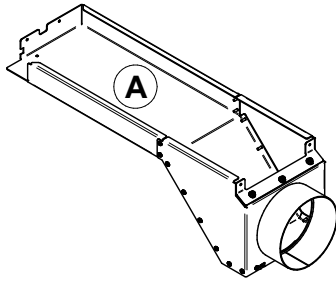




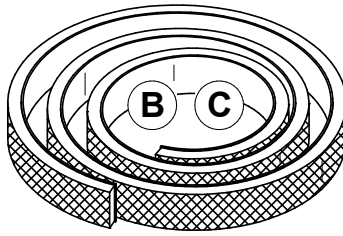
## 1. Application

This fresh air intake kit is designed to be installed on a wood stove with legs or pedestal. The vent termination must be installed outside the building.

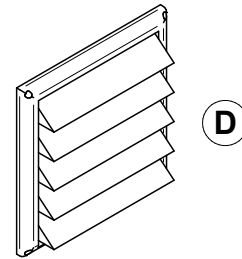
## 2. Kit Contents



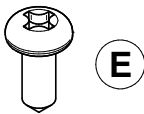
Air intake housing 5"  
**(A)** 1x



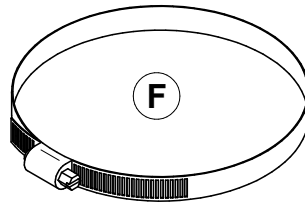
Self-adhesive gasket  
**(B)(C)** 36" long



Air intake grille 5"  
**(D)** 1x

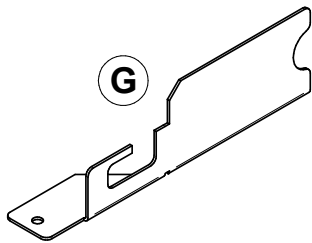


Black metal screw #10 x 5/8"  
**(E)** 6x

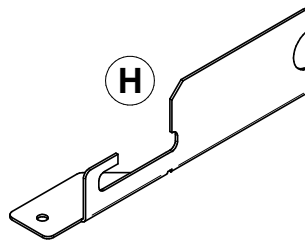


Clamp 5" **(F)** 2x

## Stove serie 1.4R

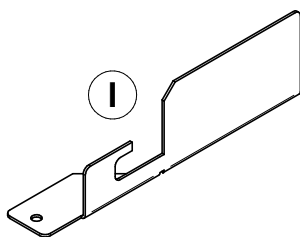


Air control cover for round hatch rod  
**1.4R (G)** 1x

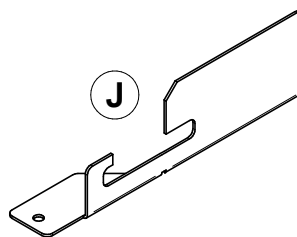


Air control cover for flat hatch rod  
**1.4R (H)** 1x

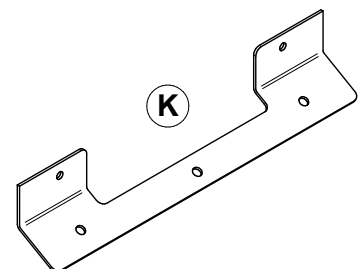
## Stove serie 1.4



Air control cover for round hatch rod  
**1.4 (I)** 1x

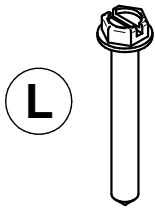


Air control cover for flat hatch rod  
**1.4 (J)** 1x

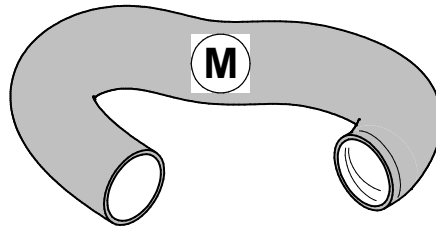


Rear air intake housing plug  
**1.4 (K)**

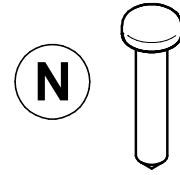
### 3. Other Required Parts (not included)



Screws for the air intake griller  
**(L) 4x**

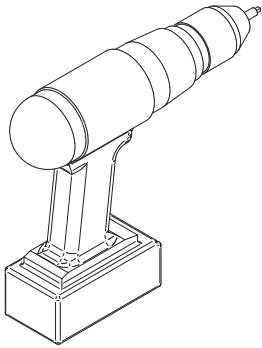


HVAC flexible insulated pipe in accordance with ULC S110 or UL 181, class 0 or class 1  
**(M) 1x**



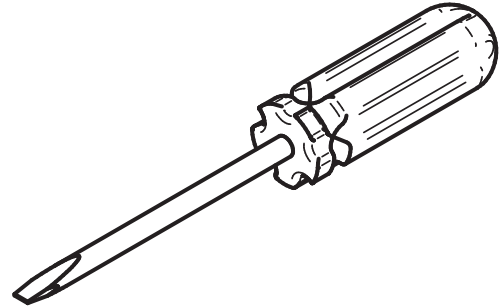
Screws to secure the wood stove in the mobile home  
**(N) 4x** for stove on legs, **2x** for stove on pedestal

### 4. Suggested tools

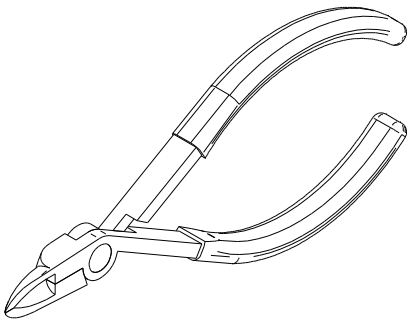


Powered Driver

or



Robertson or Phillips screwdriver

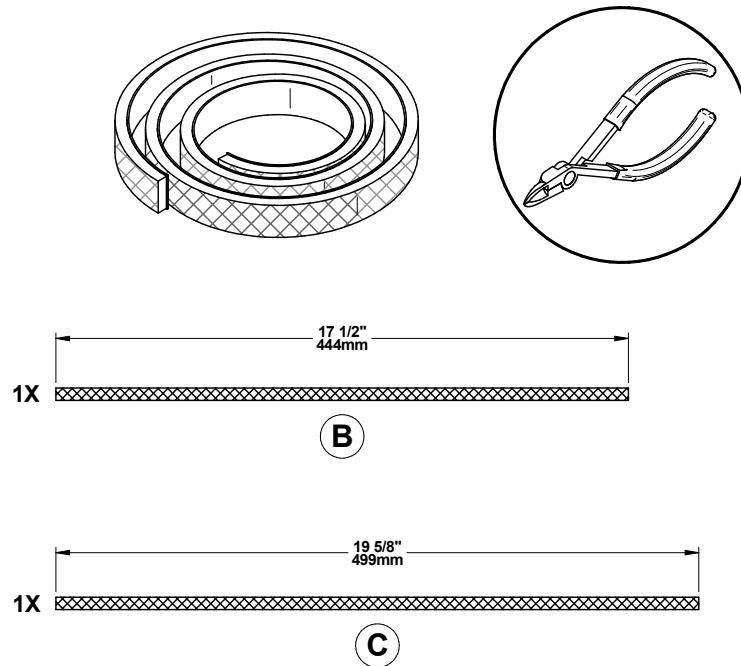


Cutting pliers

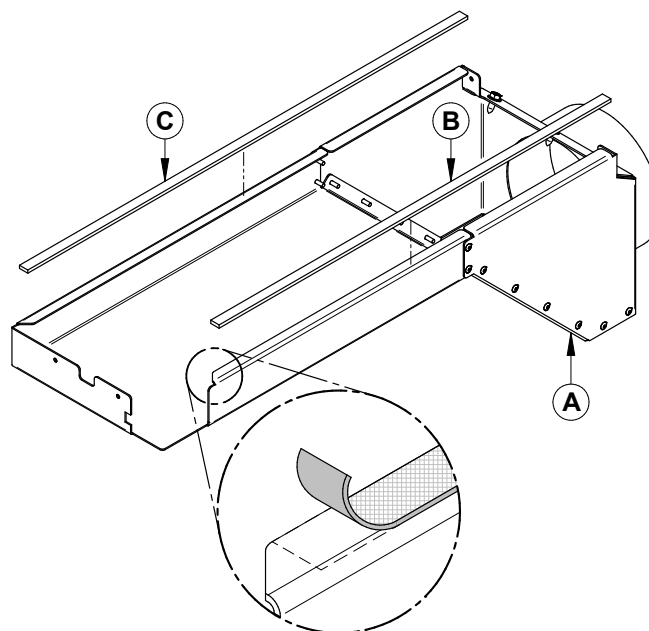
## 5. Installation Instructions

The following images are showing a generic wood stove model. Even if your stove is different, the installation steps are identical.

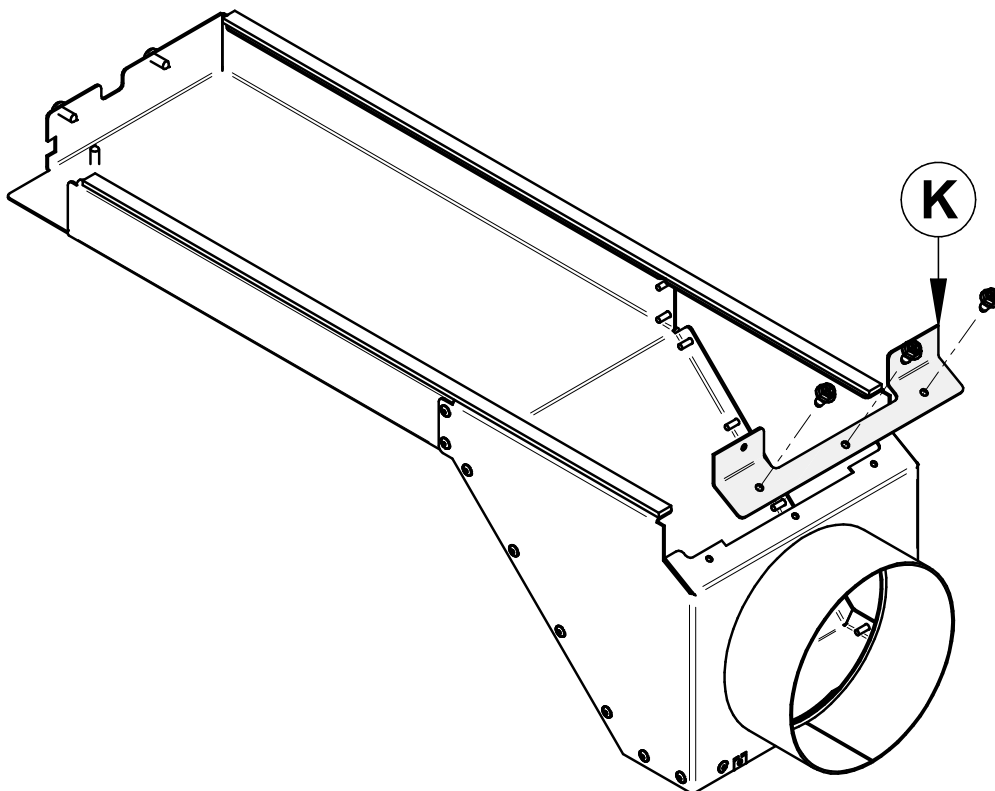
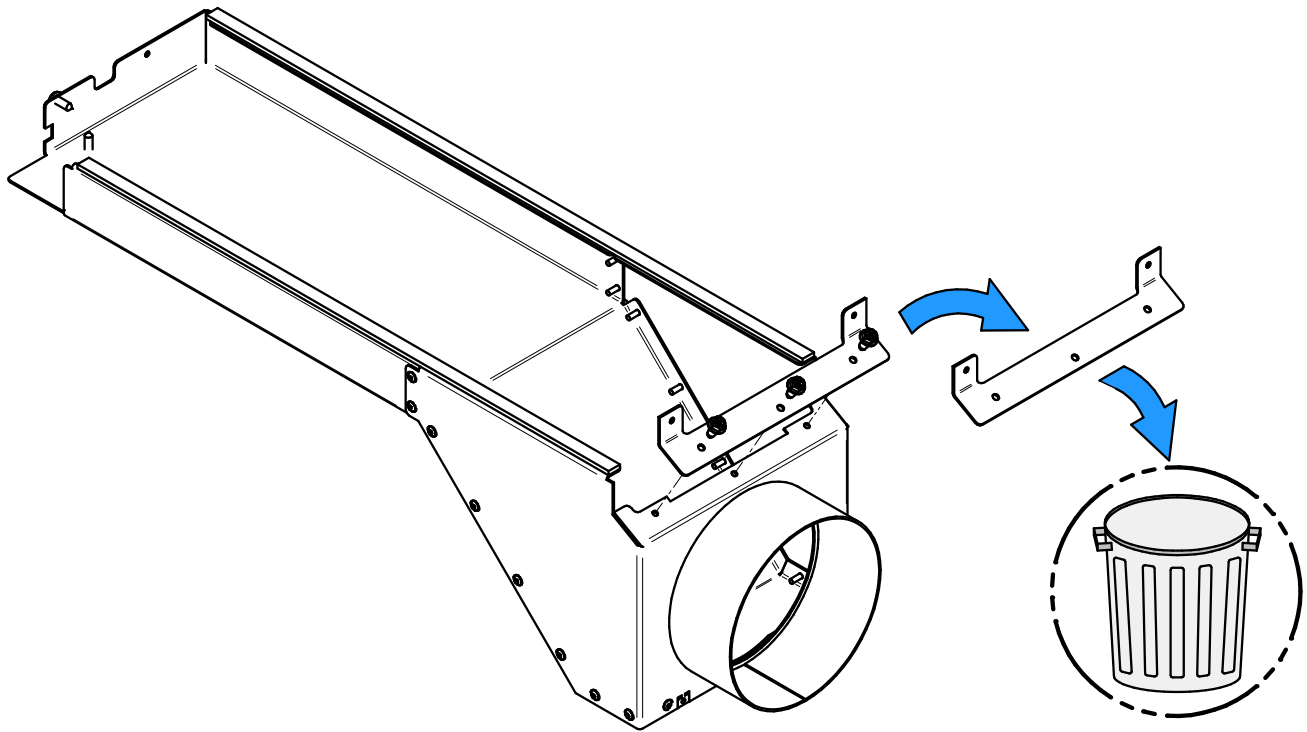
**Step 1.** Cut two strips of self-adhesive gasket, one of 17 1/2" (444 mm) **(B)** and one of 19 5/8" (499 mm) **(C)**.



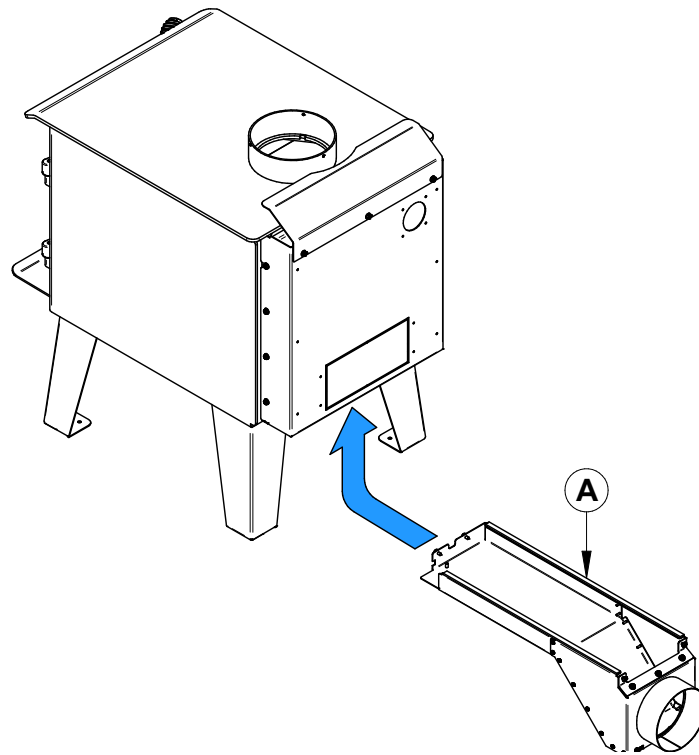
**Step 2.** Install the two strips of self-adhesive gasket **(B and C)** on the fresh air intake **(A)**, as shown.



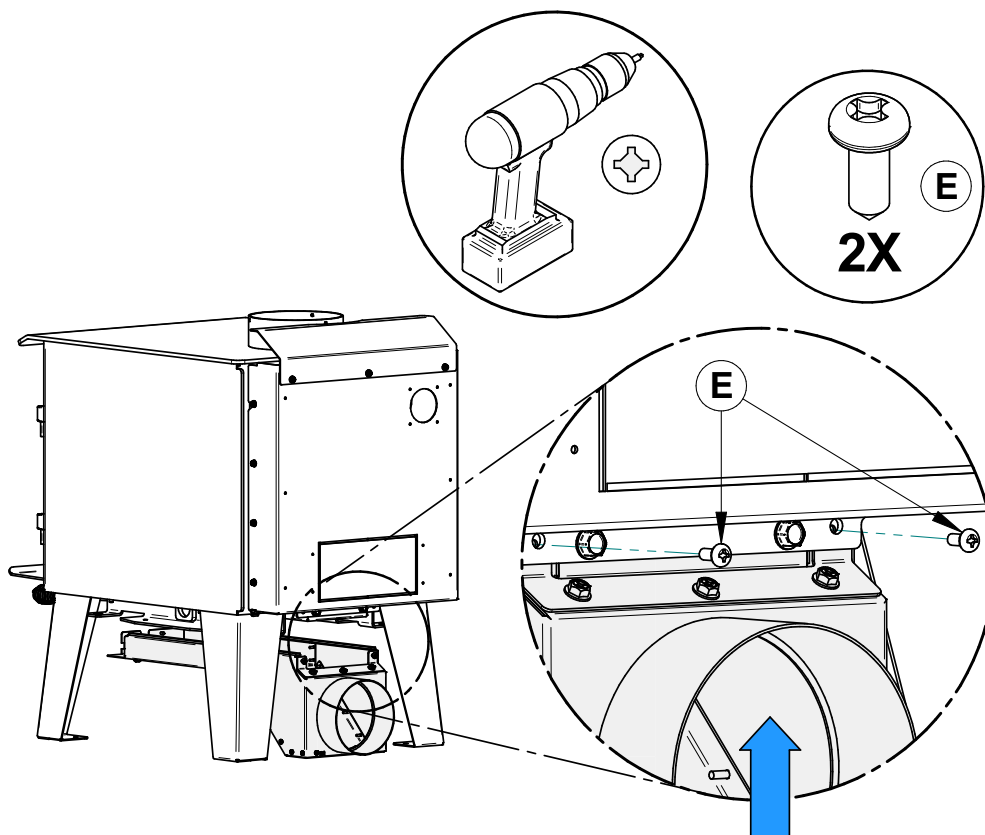
Step 3. For a 1.4 serie stove, remove this piece and replace it with the rear air intake housing plug (K)



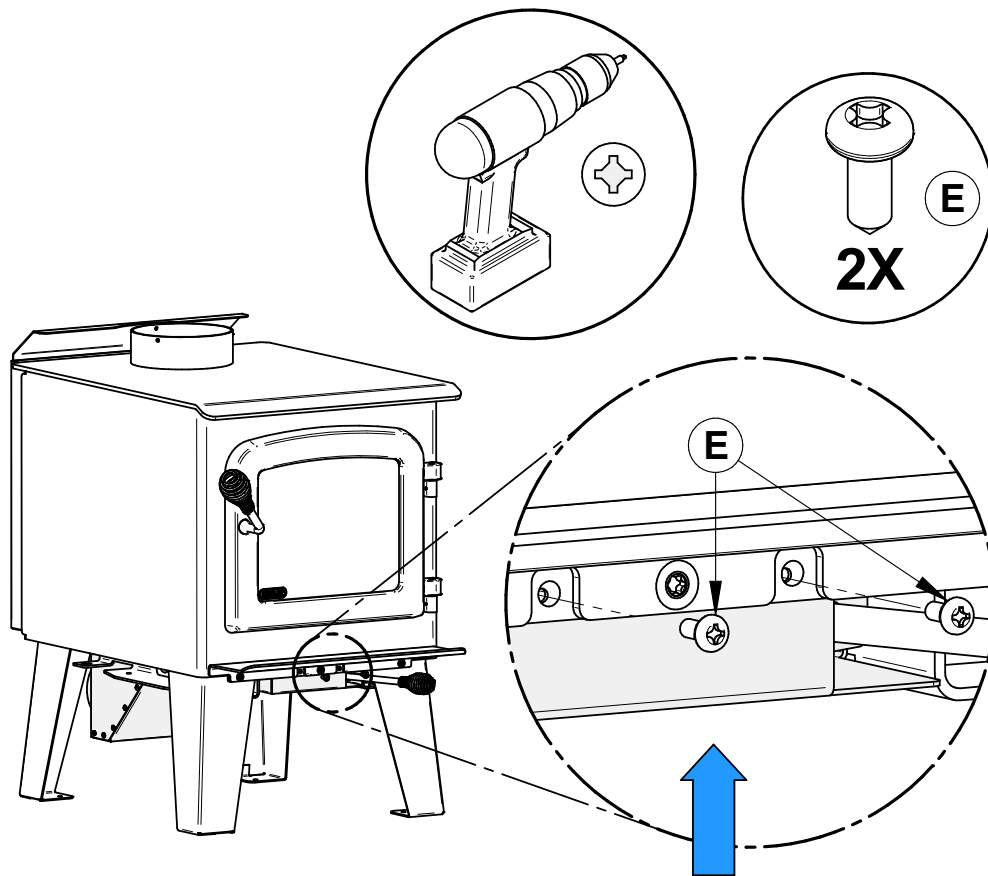
Step 4. Position the air intake **(A)** underneath the stove.



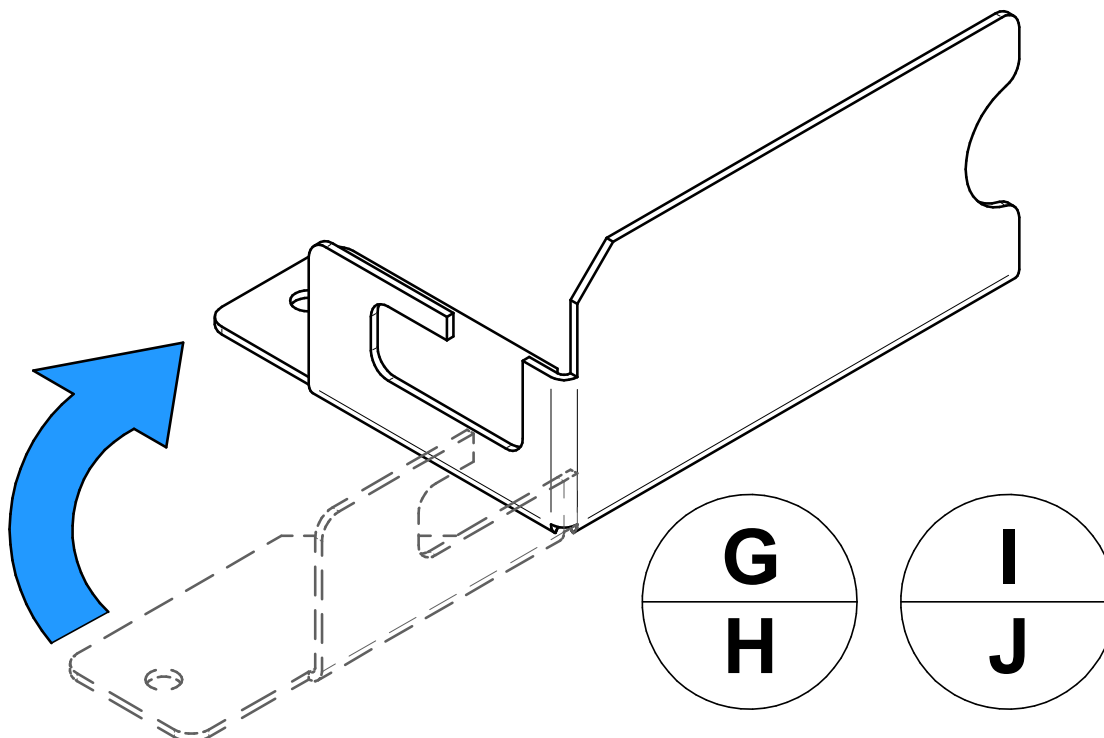
Step 5. Fix the air intake at the back of the stove with two screws **(E)**



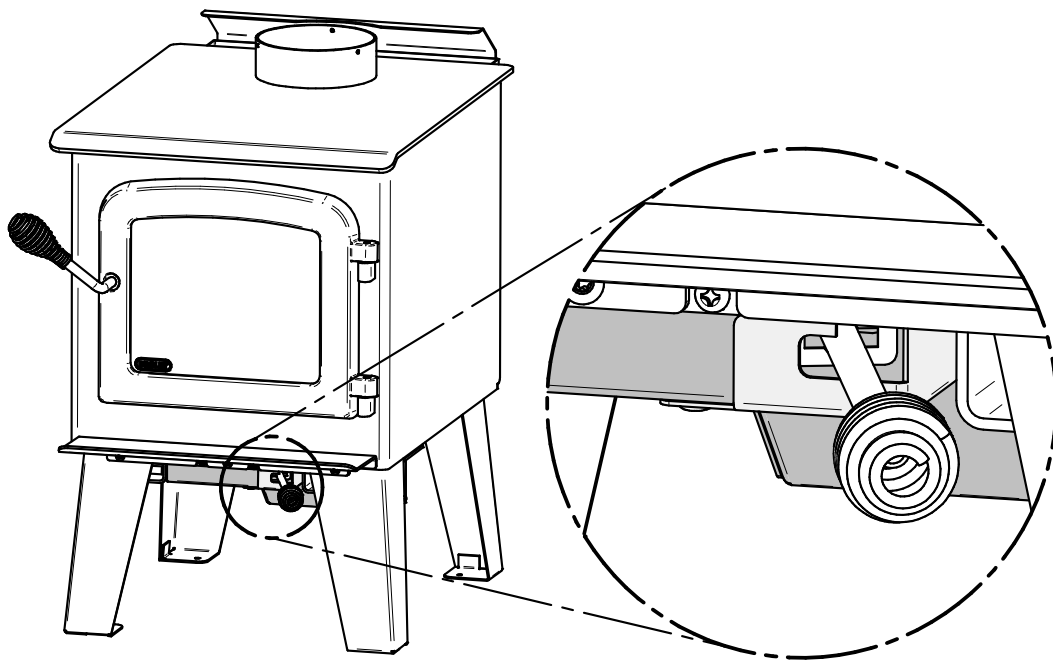
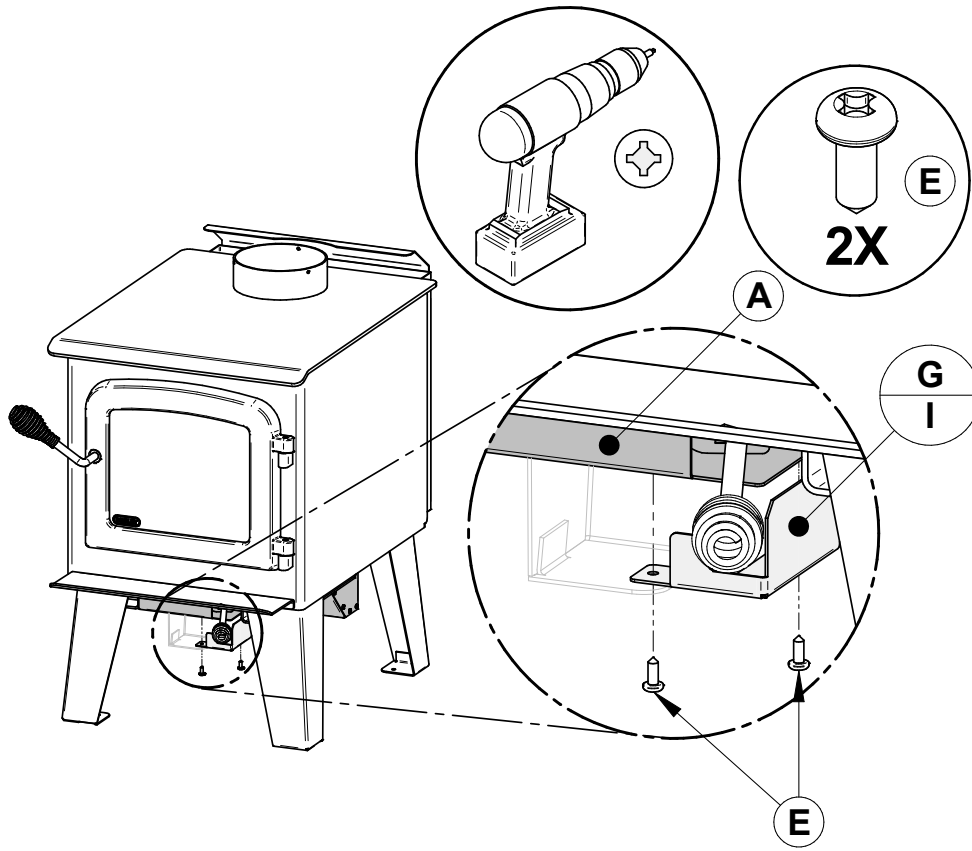
Step 6. Fix the air intake on the front of the stove with two screws (E)



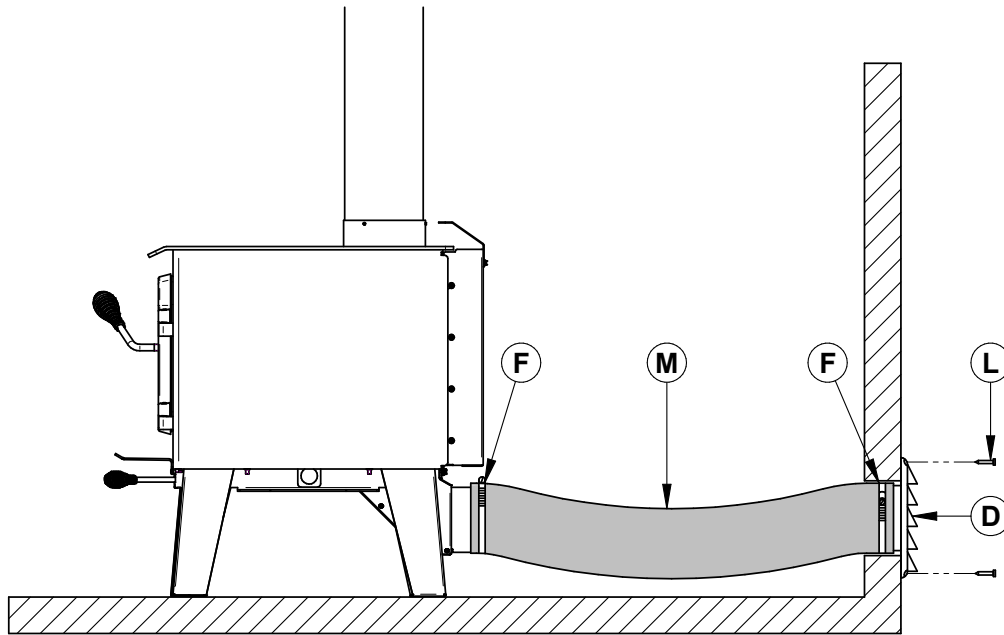
Step 7. Fold the air control cover as shown (G, H, I ou J)



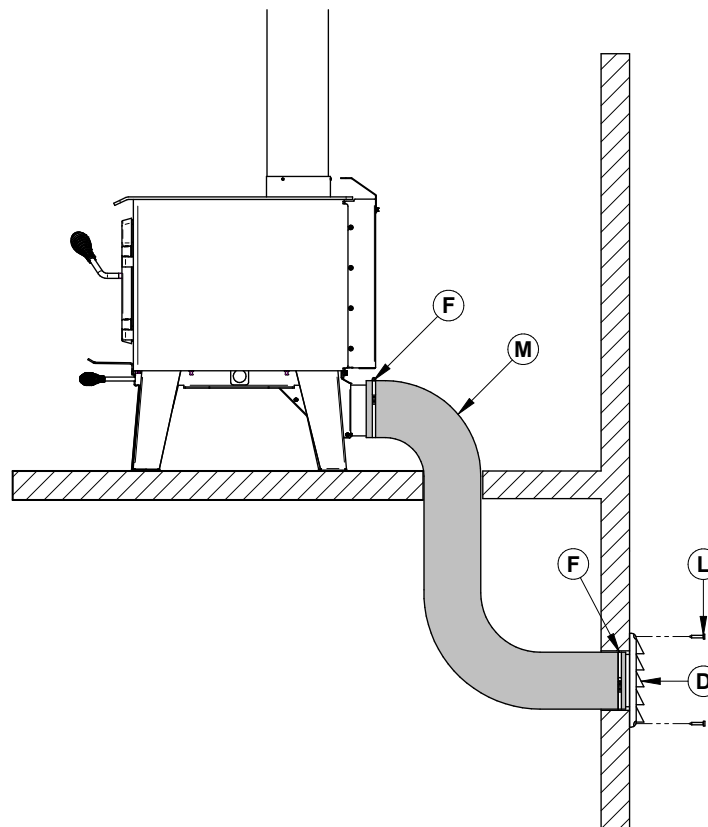
Step 8. Fix the air control cover with two screws (E). The example show the air control cover for a round hatch rod (G or I)



**Step 9.** Make a 6" x 6" (150 mm x 150 mm) opening in the outside wall behind the unit. Install a 5" insulated flexible duct (**M**) to the air intake adapter using a clamp (**F**). Attach the other end of the flexible duct to the air intake grille (**D**) with another clamp (**F**). Secure the air intake grille with 4 screws (**L**), not supplied in this kit.



Example 1

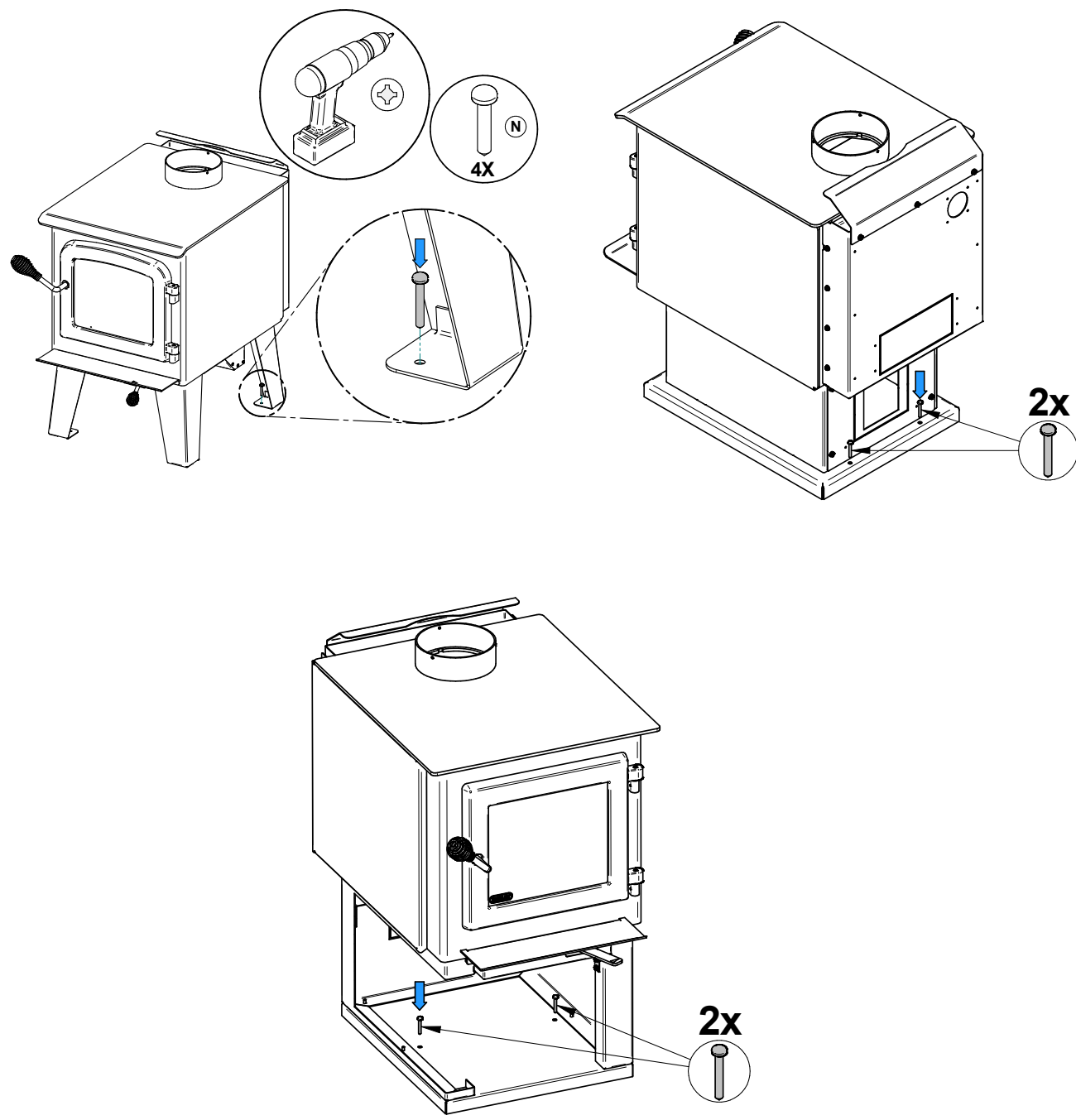


Example 2



*The fresh air intake assembly and duct should be inspected periodically to ensure that it is not obstructed.*

10. For a mobile home installation, secure the stove to the floor with the appropriate hardware (L) for the flooring.







SBI HEATING ACCESSORIES  
255 De Copenhague Street  
Saint-Augustin-de-Desmaures  
Québec, Canada  
G3A 2H3  
1-877-356-6663